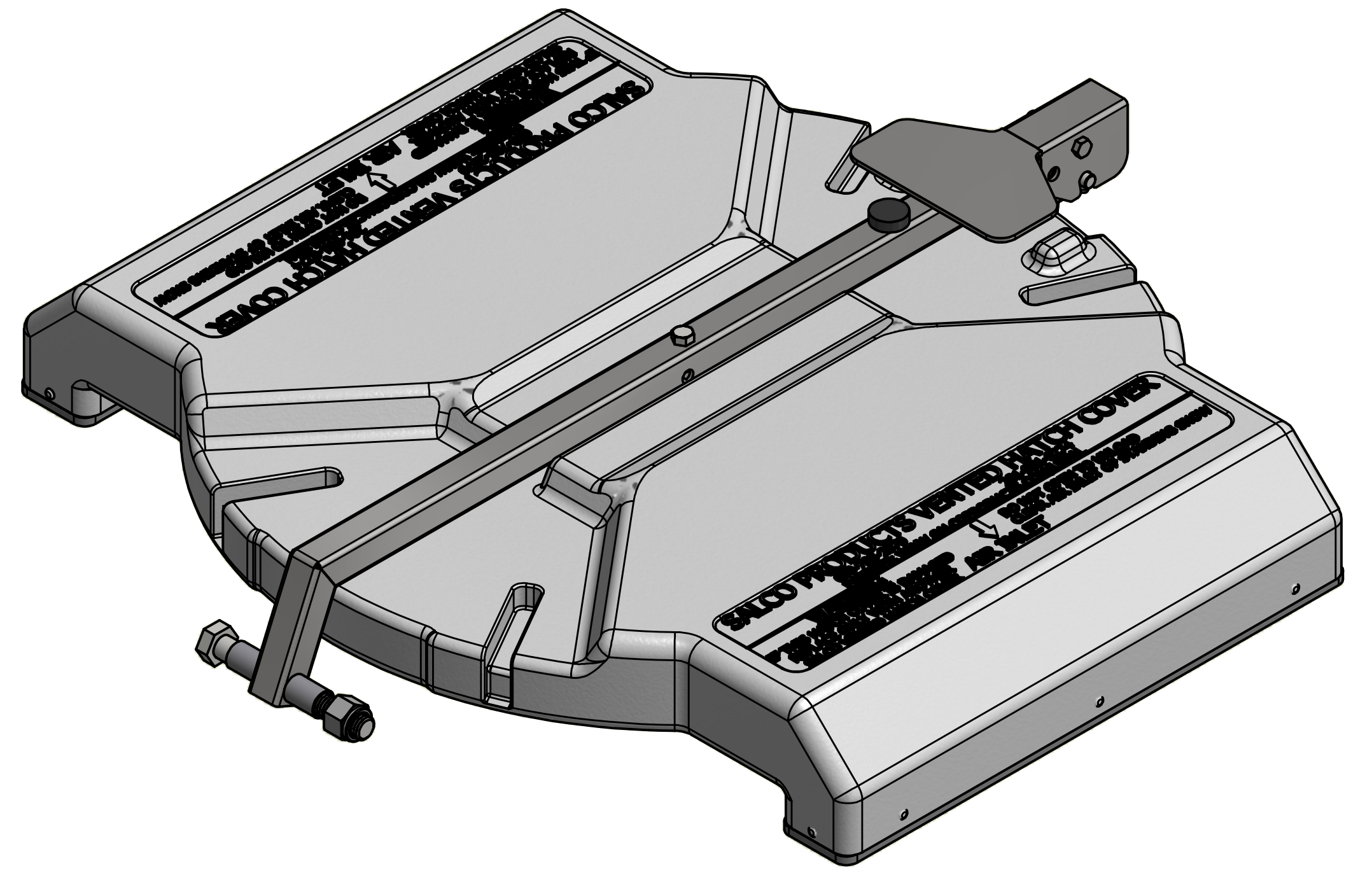
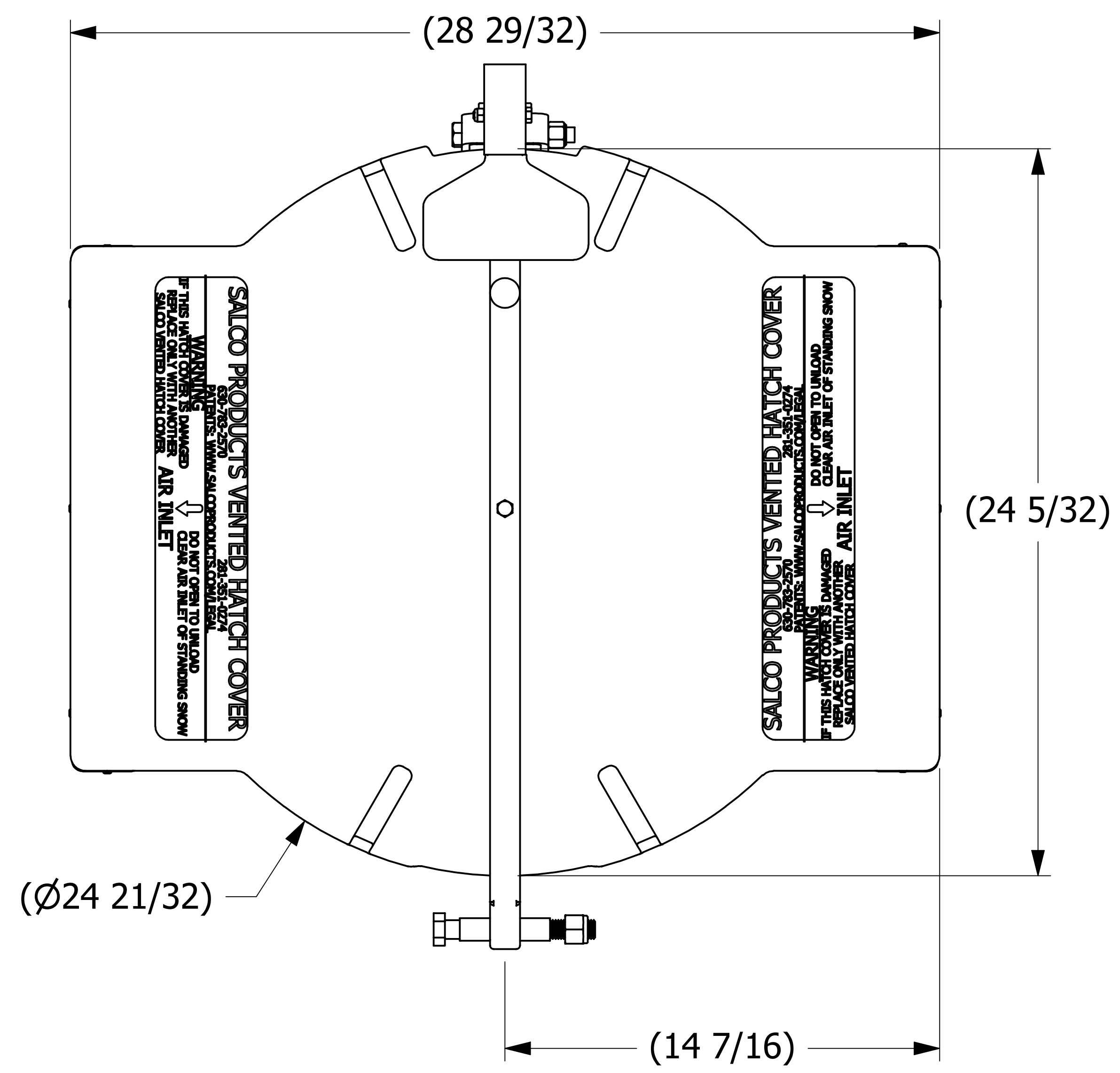
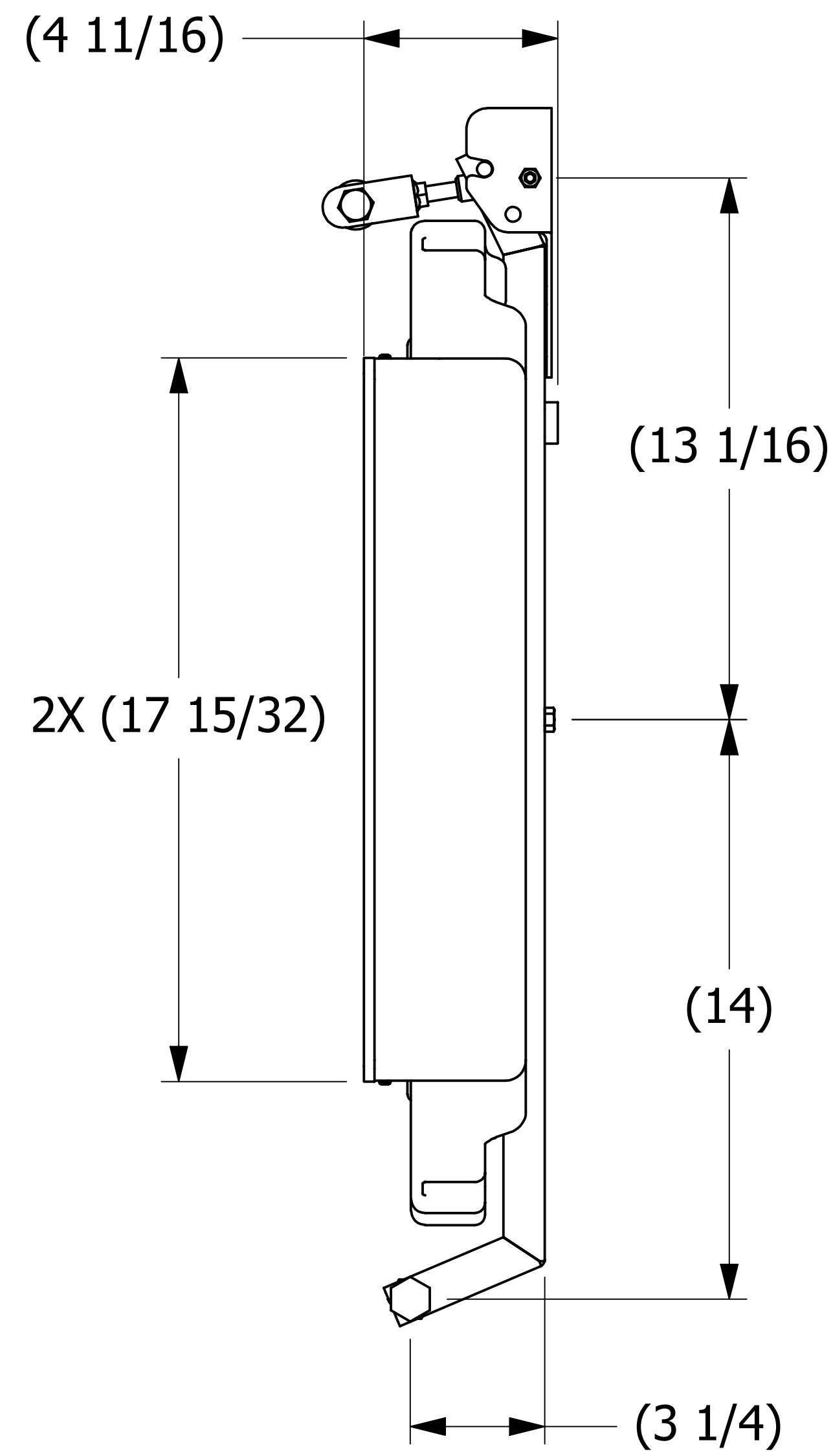
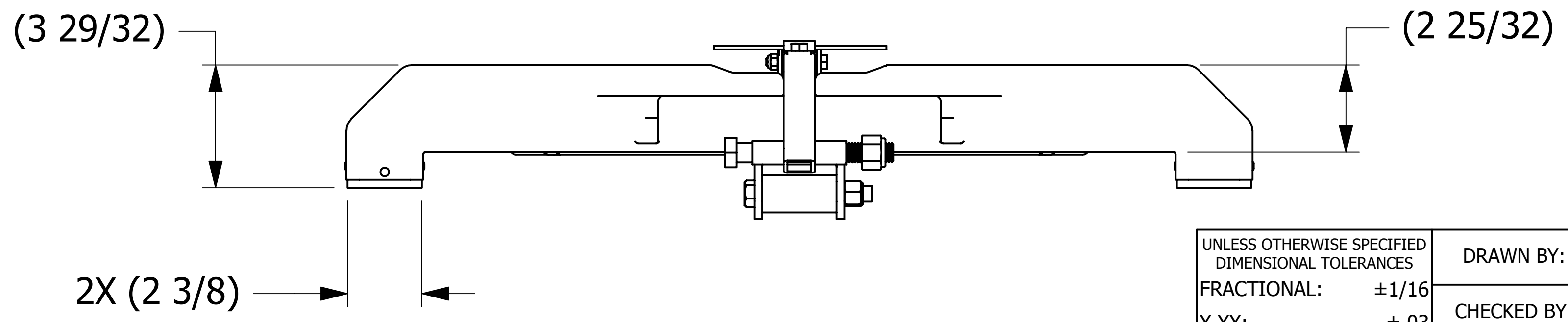


SALES DRAWING SALES DRAWING

SALES DRAWING SALES DRAWING



ISOMETRIC VIEW



**SALCO PRODUCTS VENTED HATCH COVER**  
 20" WIDE  
 20" HIGH  
 20" DEEP  
 20" DIA. AIR INLET  
 DO NOT OPEN TO UNLOAD  
 IF THIS HATCH COVER IS DAMAGED  
 REPLACE ONLY WITH ANOTHER  
 SALCO VENTED HATCH COVER. AIR INLET

**SALCO PRODUCTS VENTED HATCH COVER**  
 20" WIDE  
 20" HIGH  
 20" DEEP  
 20" DIA. AIR INLET  
 DO NOT OPEN TO UNLOAD  
 IF THIS HATCH COVER IS DAMAGED  
 REPLACE ONLY WITH ANOTHER  
 SALCO VENTED HATCH COVER. AIR INLET

D	JG	4-9-15	REPLACED P20SCAW W/ P20SCAB
C	RJP	1-03-14	ROTATED ARM
B	RJP	1-03-14	ADDED SHEET 2 WITH DIMENSIONS
A	CHL	1-14-11	DRAWING ADDED TO NETWORK
REV	BY	DATE	DESCRIPTION

UNLESS OTHERWISE SPECIFIED DIMENSIONAL TOLERANCES	DRAWN BY:	CHL
FRACTIONAL: ±1/16	CHECKED BY:	PJG
X.XX: ±.03	PROTOTYPE BY:	CHL
X.XXX: ±.015	PROTOTYPE DATE:	2/4/2004
ANGULAR: ±1°	APPROVED FOR PRODUCTION BY:	PJG
DEBURR ALL SHARP EDGES. ALL MACHINED SURFACES TO HAVE A 125 RMS FINISH UNLESS NOTED OTHERWISE.	PRODUCTION DATE:	1/14/2011
THIRD ANGLE PROJECTION		

**SALCO PRODUCTS, INC.**

PART NAME: **VENTED HATCH COVER 20"**

MATERIAL: **HDPE/SS**

PROJECT #: **WAG0095** SHEET #: **1 OF 1** SCALE: **1:3**

DRAWING #: **D18823** PART #: **VHCS98PSB**

THIS PRINT, PROPERTY OF SALCO PRODUCTS INC. CONTAINS PROPRIETARY INFORMATION AND MUST NOT BE COPIED, REPRODUCED, OR USED DETRIMENTALLY TO OUR INTEREST.